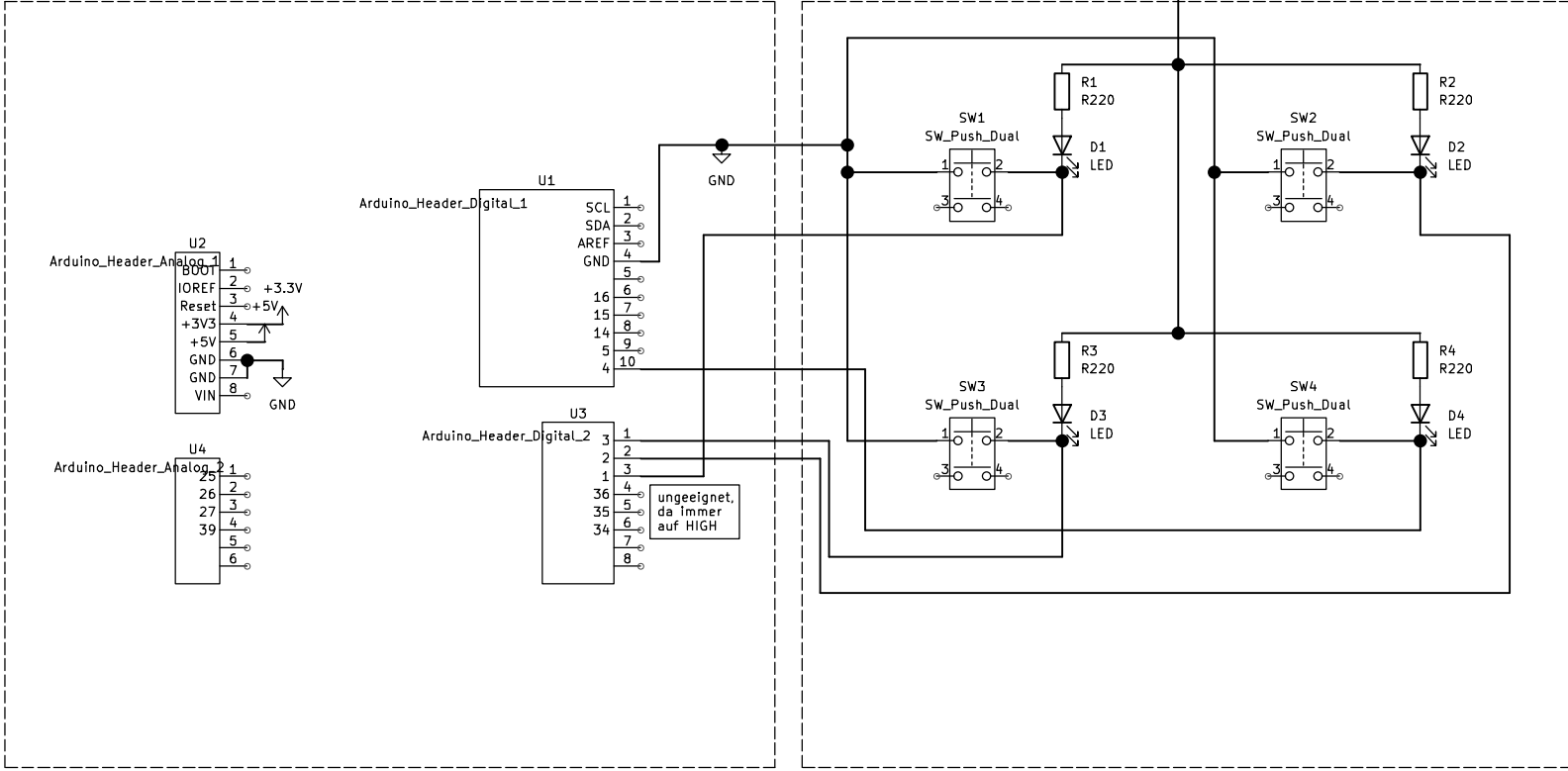


Arduino UNO R4 Shield

Memory Circuit



FvS-Schule Trs

Sheet: /
File: Memory_Shield.kicad_sch

Title: Memory-Shield

Size: A4 Date: 2024-09-08

Rev: 1.0

KiCad E.D.A. 8.0.5

Id: 1/1